

**IHI Connectors**  
International Hydraulics Inc.  
ihiconnectors.com™



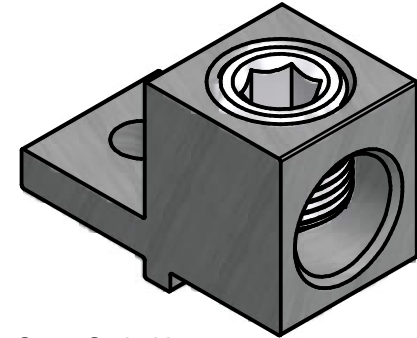
**Pressure Terminal Connectors**  
NRTL Cat. No.  
**S350**

350kcmil-6 AL9CU

<http://www.lugsdirect.com/GuideToFlexFlexibleFineStrandedWireCableMechanicalLugsFAQ.html>

Wire Size Copper (solid to semi-rigid stranded and metric mm <sup>2</sup> , ##)	Rating °C	Wire Size FLEX Copper (#)	Wire Size aluminum	Torque (all drive means)
350-2	90	262-2	350-2	375
2-6		2-4	2-6	275

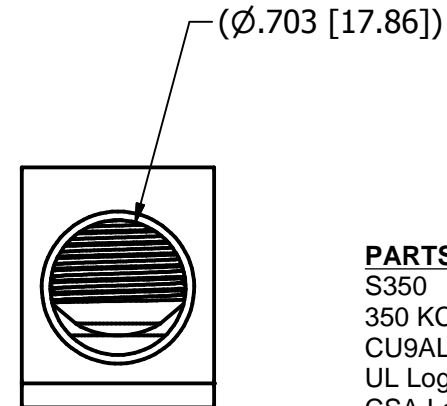
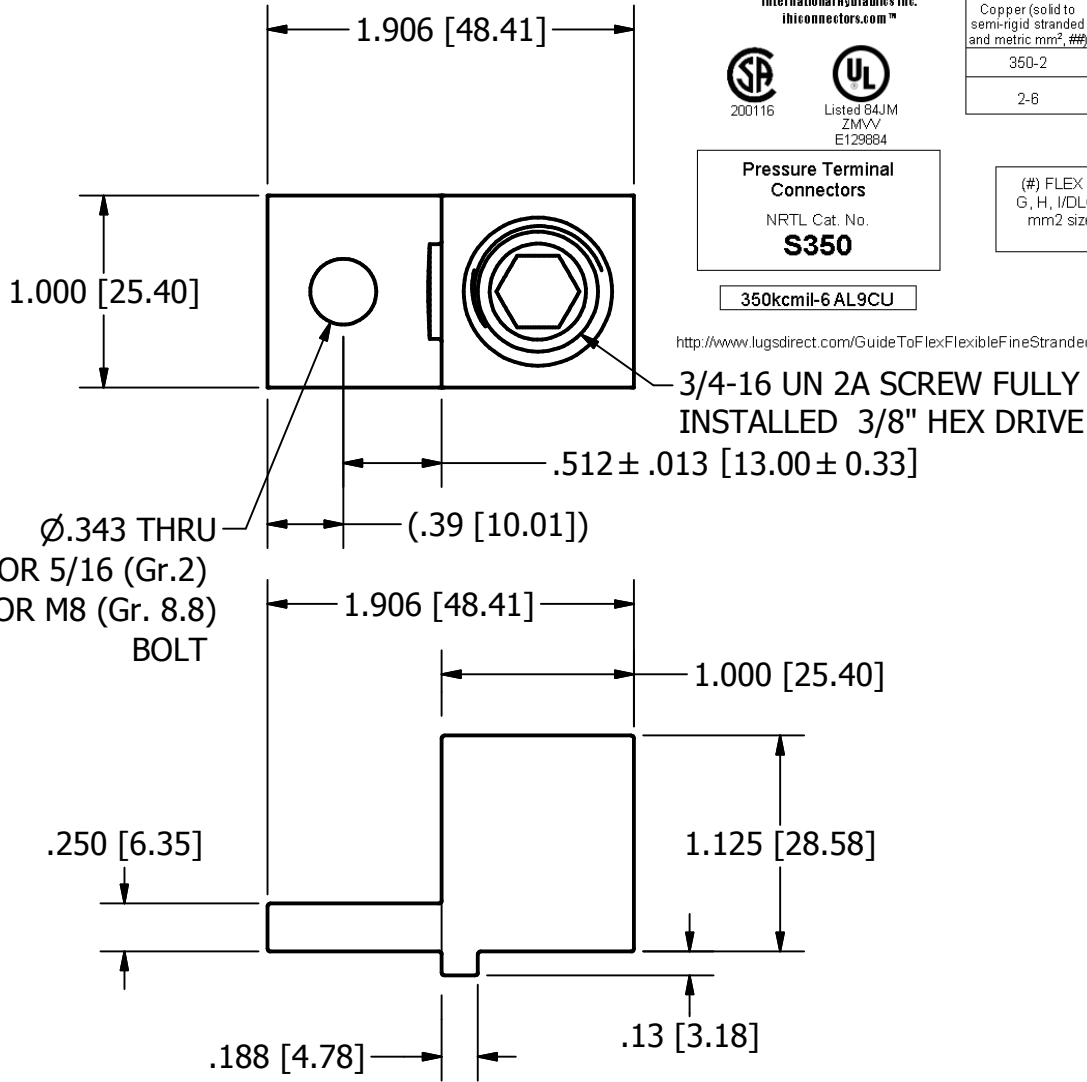
(#) FLEX - covers stranding classes within  
G, H, I/DLO, Metric class5 and K/MTW. (##)  
mm2 sizes within AWG/kcmil ranges are  
included.



**Cat No. S350 Style No. 2**

Drill, Enlarge, or Modify Mounting Holes

- 1) Increase hole(s) dia. to 9/16 bolt
- 2) Move location of mounting hole(s)
- 3) If buying blank lug, put custom hole(s) in.



**PARTS MARKED**  
S350  
350 KCMIL-6  
CU9AL  
UL Logo  
CSA Logo  
IHI

IHI UL/CSA Installation Guide to Drill or Enlarge Mounting Holes:  
<https://lugsdirect.com/PDF%20Documents/IHI-MTG-HOLE-FIELD-MODS-UL&CSA-CERTIFICATIONS.pdf>

NOT FOR USE WHERE FAILURE CREATES A HAZARD TO HUMAN HEALTH OR SAFETY. ALL PRODUCTS ARE  
SUBJECT TO THIS FULL DISCLAIMER: <http://www.ihiconnectors.com/disclaimer.html>

FOR FURTHER INFORMATION ON THE PROPER USE OF THIS PRODUCT IN SPECIFIC APPLICATIONS SEE  
<http://www.ihiconnectors.com/GuideToFlexFlexibleFineStrandedWireCableMechanicalLugsFAQ.html>

<http://www.ihiconnectors.com/Technical-Data-Installation.htm>

**FLEX WIRE 262 KCMIL - 4 AWG**

THIS DRAWING AND DESIGN ARE THE PROPERTY OF INTERNATIONAL HYDRAULICS, INC., CLEVELAND, OHIO, AND MAY NOT BE DUPLICATED, USED FOR THE BASIS OF DESIGN OR MANUFACTURE WITHOUT THE WRITTEN PERMISSION OF INTERNATIONAL HYDRAULICS, INC., CLEVELAND, OHIO.					<b>INTERNATIONAL HYDRAULICS, INC.</b>				
<b>GENERAL TOLERANCES</b> ±.015 (±0,39)					TITLE: <b>S350-TP-34-51</b>				
MATERIAL: 6061-T6					350kcmil TURN PREVENT LUG				
SIZE: A		DRAWN BY: cridley		DWG NO.: S350-TP-34-51		REV: 0			
FINISH: TIN PLATED		DATE: 11-14-2016		<b>IHI CONNECTORS</b>					