

IHI UL/CSA Installation Guide to Drill or Enlarge Mounting Holes:

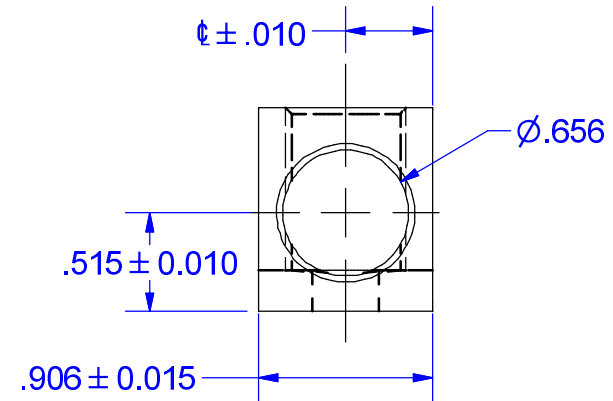
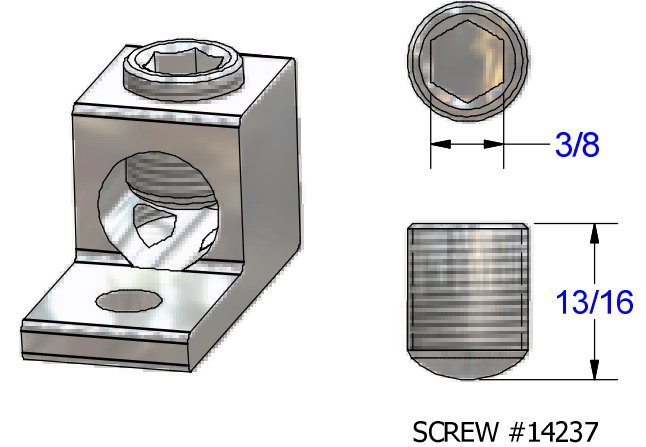
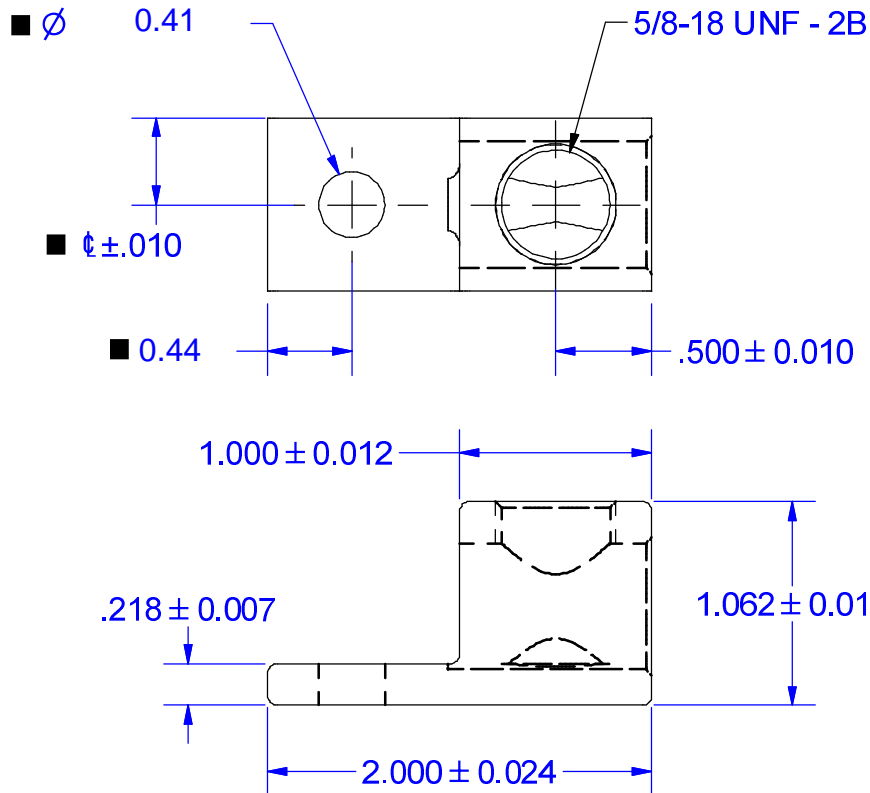
<https://lugsdirect.com/PDF%20Documents/IHI-MTG-HOLE-FIELD-MODS-UL&CSA-CERTIFICATIONS.pdf>

Cat. No. S300 Style No. ALL

■ Drill, Enlarge, or Modify Mounting Holes

- 1) Increase hole(s) dia. to 1/2 bolt (17/32 drill dia.)
- 2) Move location of mounting hole(s)
- 3) If buying blank lug, put custom hole(s) in.

■ MOUNTING BOLT 3/8 or 10 mm



PARTS MARKED  
300 KCMIL-6  
CU9AL  
UL LOGO  
CSA LOGO  
IHI LOGO  
S300

NOT FOR USE WHERE FAILURE CREATES A HAZARD TO HUMAN HEALTH OR SAFETY. ALL PRODUCTS ARE SUBJECT TO THIS FULL DISCLAIMER: <http://www.ihconnectors.com/disclaimer.html>

FOR FURTHER INFORMATION ON THE PROPER USE OF THIS PRODUCT IN SPECIFIC APPLICATIONS SEE <http://www.ihconnectors.com/GuideToFlexFlexibleFineStrandedWireCableMechanicalLugsFAQ.html>  
<http://www.ihconnectors.com/Technical-Data-Installation.htm>

FLEX WIRE 4/0-6 AWG

THIS DRAWING AND DESIGN ARE THE PROPERTY OF INTERNATIONAL HYDRAULICS, INC., CLEVELAND, OHIO, AND MAY NOT BE DUPLICATED, USED FOR THE BASIS OF DESIGN OR MANUFACTURE WITHOUT THE WRITTEN PERMISSION OF INTERNATIONAL HYDRAULICS, INC., CLEVELAND, OHIO.		INTERNATIONAL HYDRAULICS, INC.		
GENERAL TOLERANCES $\pm .015 (\pm 0,038)$		TITLE: <b>S300-41-44 (WEB)</b> <b>CONNECTOR</b>		
MATERIAL: <b>6061-T6 (X1003)</b>	SIZE:	DRAWN BY: <b>TDS</b>	DWG NO.: <b>S300 (SALES)</b>	REV:
FINISH: <b>TIN PLATE EMS</b>	DATE: <b>1/8/09</b>	THIS IS A CAD DRAWING, DO NOT MANUALLY REVISE		