

IHI UL/CSA Installation Guide to Drill or Enlarge Mounting Holes:
<https://lugsdirect.com/PDF%20Documents/IHI-MTG-HOLE-FIELD-MODS-UL&CSA-CERTIFICATIONS.pdf>

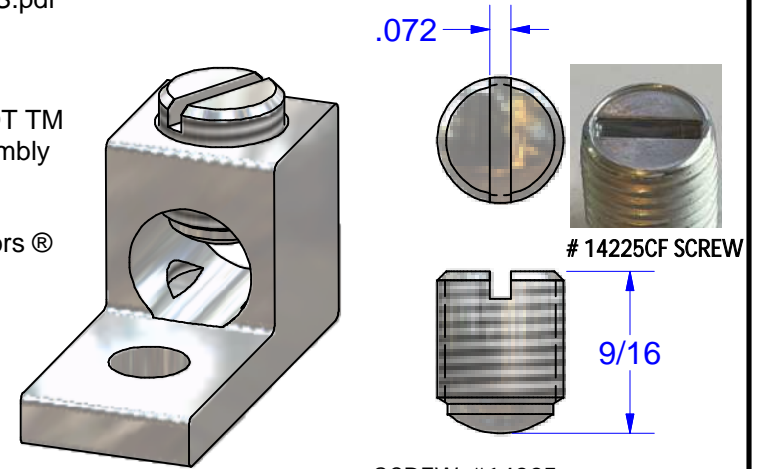
Cat. No. S2/0 Style No. ALL

■ Drill, Enlarge, or Modify Mounting Holes

- 1) Increase hole(s) dia. to 1/2 bolt (17/32 drill dia.)
- 2) Move location of mounting hole(s)
- 3) If buying blank lug, put custom hole(s) in.

Shipped with regular slotted screw or TUFF SLOT™ closed slot which guides driver bit for rapid assembly (subject to availability).

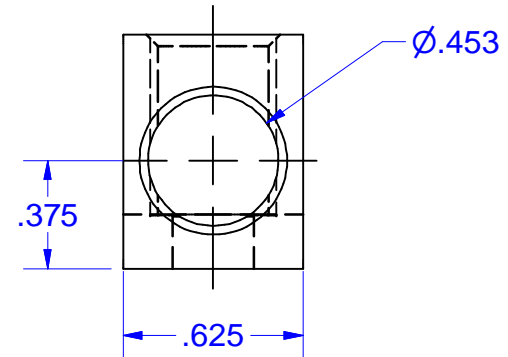
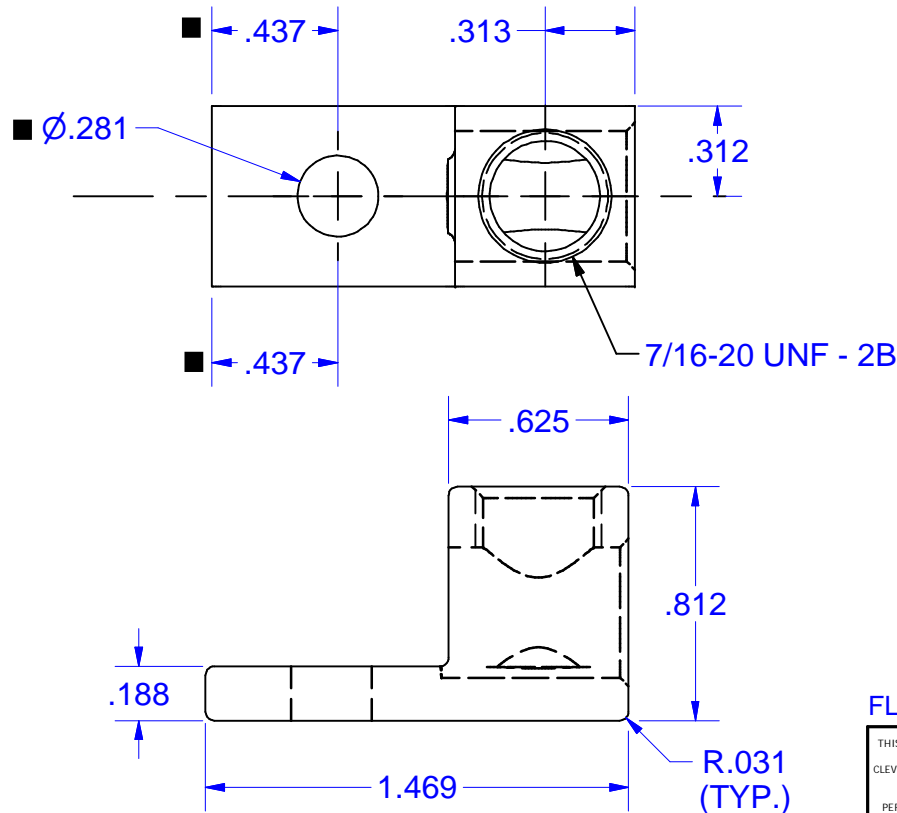
TUFF SLOT™ is a trademark of IHI Connectors®



SCREW #14225
(ALUMINUM TIN PLATED)

ALSO MAY BE SHIPPED WITH # 14225CF SCREW (CLOSED SLOT)

- RECOMMENDED FLAT SLOTTED DRIVER BITS
- | | | |
|--------------|---------------|--------------------|
| 0-75 IN-LBS | CHAPMAN CM-96 | 8.3MM X 1.0MM BITS |
| 0-100 IN-LBS | WIHA/WERA | 8.0MM X 1.2MM BITS |
| 0-120 IN-LBS | WIHA/WERA | 8.0MM X 1.6MM BITS |



PART MARKED

S2/0
2/0-14
CU9AL
UL Logo
CSA Logo
IHI Logo

NOT FOR USE WHERE FAILURE CREATES A HAZARD TO HUMAN HEALTH OR SAFETY. ALL PRODUCTS ARE SUBJECT TO THIS FULL DISCLAIMER: <http://www.ihiconnectors.com/disclaimer.html>

FOR FURTHER INFORMATION ON THE PROPER USE OF THIS PRODUCT IN SPECIFIC APPLICATIONS SEE <http://www.ihiconnectors.com/GuideToFlexFlexibleFineStrandedWireCableMechanicalLugsFAQ.html>
<http://www.ihiconnectors.com/Technical-Data-Installation.htm>

FLEX WIRE 1/0-14 AWG

THIS DRAWING AND DESIGN ARE THE PROPERTY OF INTERNATIONAL HYDRAULICS, INC., CLEVELAND, OHIO, AND MAY NOT BE DUPLICATED, USED FOR THE BASIS OF DESIGN OR MANUFACTURE WITHOUT THE WRITTEN PERMISSION OF INTERNATIONAL HYDRAULICS, INC., CLEVELAND, OHIO.		INTERNATIONAL HYDRAULICS, INC.		
GENERAL TOLERANCES ±.015 (±0.038)		TITLE: S2/0 CONNECTOR		
MATERIAL: 6061-T6 (X1075)	SIZE:	DRAWN BY: TDS	DWG NO.: S2/0 (SALES)	REV:
FINISH: TIN PLATE EMS	DATE: 01/21/09	IHI CONNECTORS		